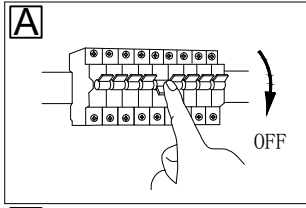
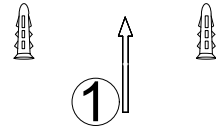


# GLOBO

LIGHTING



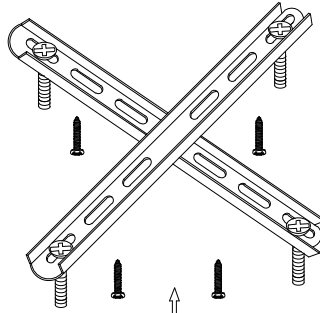
B



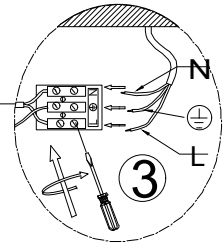
1



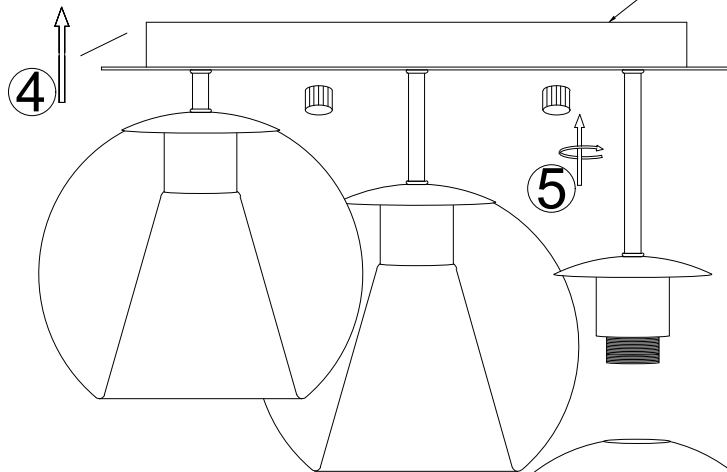
2



15749-3D  
15749N-3D



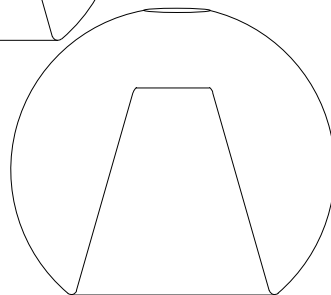
3



4

5

6



7



8

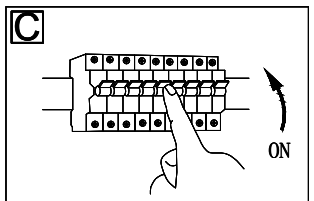


9



3x MAX 40W E27  
230V~ 50Hz

GLOBO Handels GmbH  
Gewerbestr. 3  
A-9184 Sankt Peter, Austria  
[www.globo-lighting.com](http://www.globo-lighting.com)  
[office@globo-lighting.com](mailto:office@globo-lighting.com)



C